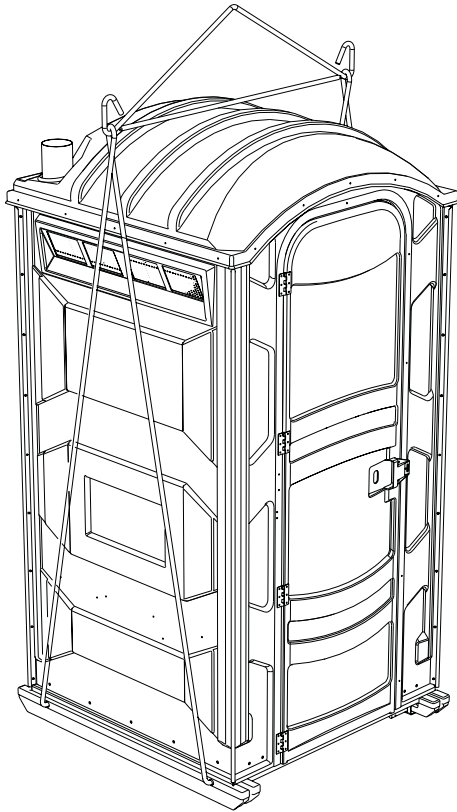




MS02-1000 Lifting Sling Assembly Instructions



General Overview

The MS02-1000 Lifting Sling, made of a no rust galvanized steel. Designed to move most portable rest-rooms around a construction site. Shipped with the MS01-0200 - Small Parts Bag which includes the necessary parts for easy assembly.

Specifications

Clearance Height when attached to Unit	104 in	264 cm
Legs Can Extend to length of the Unit	48 in	122 cm
Width of Lifting Arm	47.75 in	121 cm
Lifting Capacity	855lbs	387.82 kg

SEE PAGE 4 FOR PRODUCT WARNINGS

POLYJOHN USA

PolyJohn Enterprises Corp
2500 Gaspar Ave.
Whiting, IN 46394
Phone: 800-292-1305
Fax: 219-659-0625
www.polyjohn.com
info@polyjohn.com

POLYJOHN WORLDWIDE

PolyJohn (UK) Ltd.
Equinox 1 Audby Lane
Wetherby, England LS22 7RD
Phone: 44 (0) 1937-583333
Fax: 44 (0) 1937-583322
sales@polyjohn.co.uk

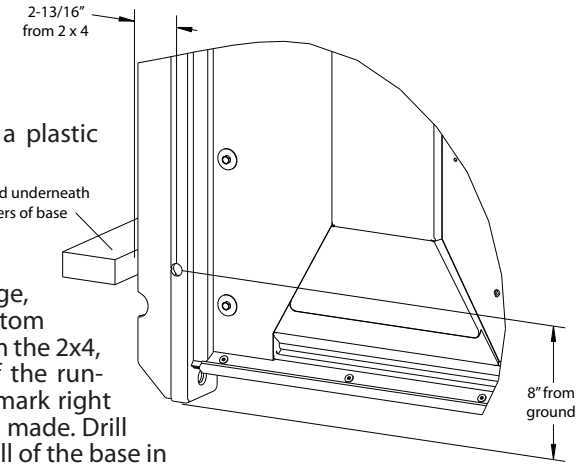
POLYJOHN CANADA

PolyJohn Canada
P.O. Box 2300
199 Forest Plain Rd.
Orillia, Ontario LV3 6S2
Phone: 800-465-9590
Fax: 705-325-8250
info@polyjohncanada.ca

Attaching the Lifting Sling to a PJN3 Unit

Note: Prior to fitting the sling set, be sure that the unit is clean and empty of all waste.

Step 1. For PJN3 units with a plastic base, lay the unit on it's back. Measure up 8" from the ground and make a mark on the side of the runner. Holding a straight edge, such as a 2x4 across the bottom of both runners, measure from the 2x4, 2-13/16" from the bottom of the runner of the base and make a mark right where the previous mark was made. Drill a 11/16" hole through one wall of the base in the location marked. Repeat this step for the inside surface of the runner (see diagram to the left). Repeat this procedure for the outside and inside surfaces of the other runner. When all 4 holes have been drilled, turn the unit over, laying it on it's front, and repeat these steps.



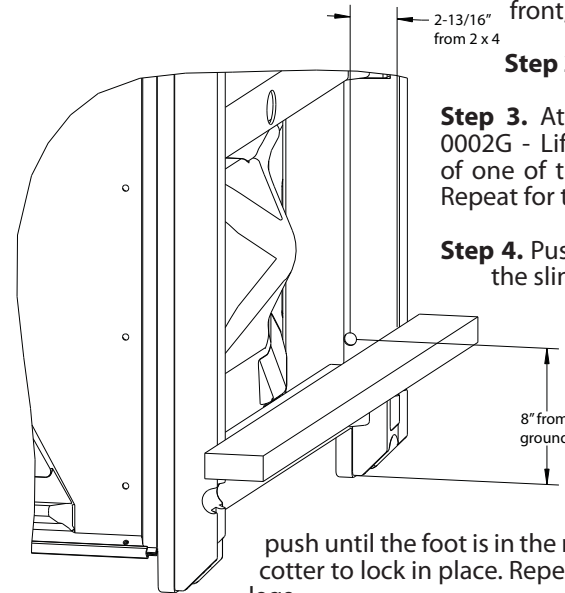
Step 2. Stand the unit upright.

Step 3. Attach one end of the MS01-0002G - Lifting Arm to the looped-end of one of the MS01-0001G - Sling Legs. Repeat for the other end of arm and leg.

Step 4. Push the Portable Unit between the sling legs.

Step 5. Insert one foot of a sling leg through the hole in the runner. Place a PC-000129 washer over the foot of the sling leg. Follow by inserting a PC-000132 hairpin cotter into the hole of the foot and

push until the foot is in the middle opening of the hairpin cotter to lock in place. Repeat this for the remaining sling legs.



Follow steps in reverse order to detach lifting sling.

Attaching the Lifting Sling to all other units

Step 1. For all skids whether plastic or wood, drill four 11/16" holes through the sides of the runners (two holes per runner). The ideal drill locations should be 5" in from each end of the runner and 2" from the bottom of the skid. NOTE: Before drilling check the inside of the runner for any obstructions and adjust drill locations accordingly.

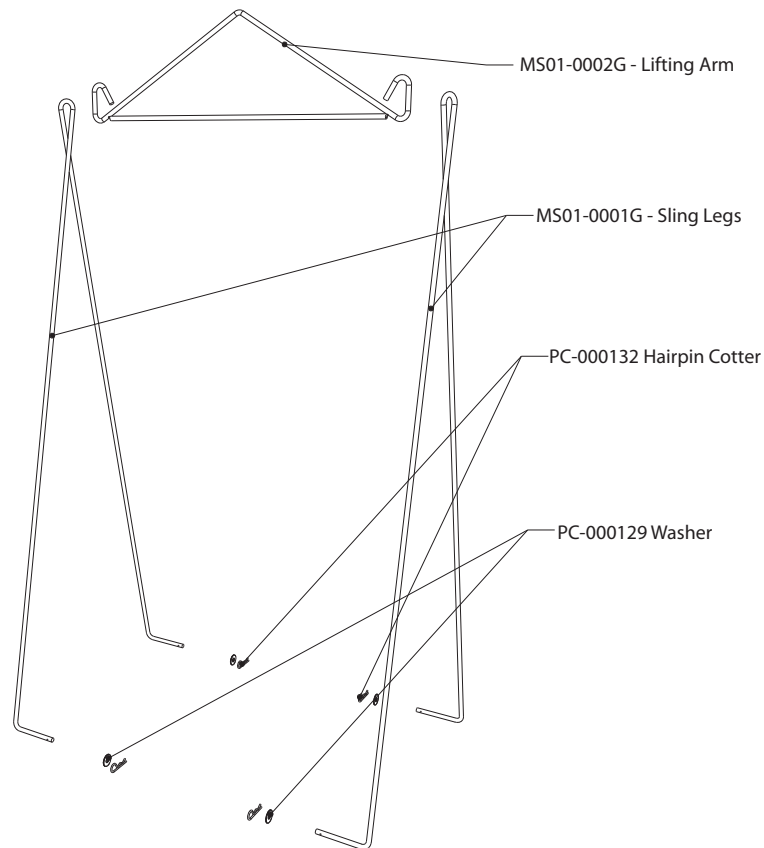
Step 2. Attach one end of the MS01-0002G - Lifting Arm to the looped-end of one of the MS01-0001G - Sling Legs. Repeat for the other end of arm and leg.

Step 3. Push the Portable Unit between the sling legs.

Step 4. Insert one foot of a sling leg through the hole in the runner. Place a PC-000129 washer over the foot of the sling leg. Follow by inserting a PC-000132 hairpin cotter into the hole of the foot and push until the foot is in the middle opening of the hairpin cotter to lock in place.

Step 5. Repeat for the three other ends of the skid.

Follow steps in reverse order to detach lifting sling.



Safe Handling Instructions

1. This unit is made to lift portable restrooms only. It has a lifting capacity of 1000 lbs. This unit was designed to lift PolyJohn brand portable restrooms. If using this product with a different portable restroom manufacturer, the unit must be weighed to insure that the 1000 lb. lifting capacity is not exceeded. The unit must not be used to lift anything or anyone inside of the portable restroom.

2. Only one (1) sling set/unit to be lifted by one (1) lifting device at a time.

3. The base of the portable restroom and the lifting sling must be visually inspected prior to any lift.

4. All lifting must be done from the center apex of the sling cross bar.

5. Any bent or damaged parts must be reported to supervisor immediately and taken out of service.

FAILURE TO FOLLOW THESE INSTRUCTIONS COULD RESULT IN INJURY OR DEATH.

We highly recommend membership in the Portable Sanitation Association International (PSAI); the worldwide authority on portable sanitation services. The PSAI, "Portable Sanitation Industry Certification Program" manual contains a wealth of information on standards and service procedures. For more information contact the PSAI:

PORTABLE SANITATION ASSOCIATION INTERNATIONAL (PSAI)
7800 METRO PARKWAY, SUITE 104
BLOOMINGTON, MINNESOTA 55425 USA
800-822-3020 / 612-854-8300 FAX 612-854-7560
www.pesai.org

MISSION STATEMENT

"PolyJohn is a family owned, state of the art, plastics manufacturing company dedicated to providing its employees with a work environment committed to excellence, and its customers with innovative products, services and technology that meet or exceed their requirements."

THANK YOU FOR PURCHASING POLYJOHN PRODUCTS!

Look for us on the Web @ www.PolyJohn.com